

HL904

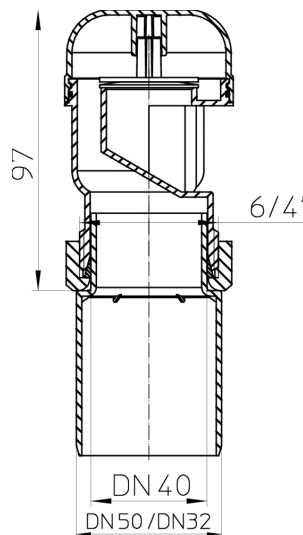
air admittance valve DN40



air admittance valve DN40 with adapter DN32/50



techn. drawing



MAIN DATA

spare parts



HL01008D
gasket wedge shaped T40



HL01047D.G
locking nut 1 1/2' grey



HL0904.0E
adapter DN32/50

attachment



HL0904.1E
tee DN40x1 1/2'

used with



HL904T
air admittance valve DN40 with tee DN40x1 1/2'

TECHNICAL DATA

material	PP	installation height	97 mm
dimension	DN32/40/50	grate frame	
capacity	5,25 l/s	grate	
weight	0,075	load class	
EAN	9003076909049	inlet	
		standards	EN12380 A1

PACKAGING DATA

PE-bag

unit	1 [pcs.]
weight	0,082 [kg]
EAN/pack.	9003076909049
height/width/depth	150/70/70 [mm]
volume	0 [m ³]

carton

unit	10 [pcs.]
weight	1,078 [kg]
EAN/pack.	9003076003624
height/width/depth	150/260/350 [mm]
volume	0,01365 [m ³]

Euro-pallet

unit	720 [pcs.]
weight	98 [kg]

EAN/pack.

height/width/depth 1800/800/1250 [mm]

volume 1,8 [m³]

DOWNLOADS

Foto Print	HL904_pr.tif	max.
Foto Web	HL904_B.jpg	640x480/300dpi
Foto Symbol	HL904_gr.jpg	150x150/72dpi
techn. drawing	HL904_c.pdf	pdf
CAD	HL904_2_c.dxf	dxf