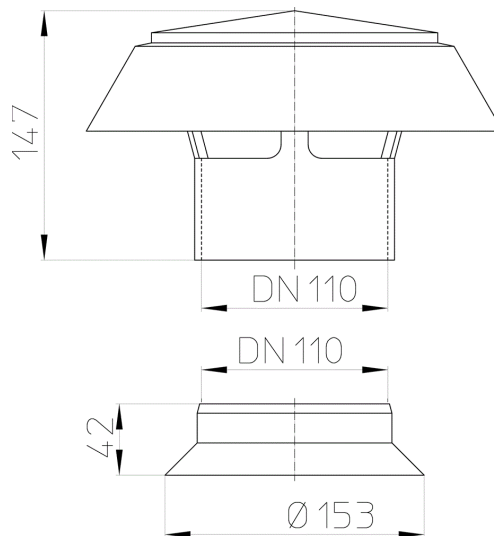


HL810

roof ventpipe fitting DN110



techn. drawing



MAIN DATA

spare parts



HL810.0
ventpipe cover DN110



HL810.1
ventpipe sleeve DN110

TECHNICAL DATA

material

PP

installation height

dimension	DN110	grate frame
capacity		grate
weight	0,27	load class
EAN	9003076908103	inlet
		standards

PACKAGING DATA

PE-bag

unit	1 [pcs.]
weight	0,28 [kg]
EAN/pack.	9003076908103
height/width/depth	160/170/170 [mm]
volume	0 [m ³]

carton

unit	10 [pcs.]
weight	3,37 [kg]
EAN/pack.	9003076014378
height/width/depth	360/320/640 [mm]
volume	0,073728 [m ³]

Euro-pallet

unit	200 [pcs.]
weight	87,5 [kg]
EAN/pack.	
height/width/depth	2100/800/1200 [mm]
volume	2,016 [m ³]

DOWNLOADS

Foto Print	HL805_pr.tif	max.
Foto Web	HL805_B.jpg	640x480/300dpi
Foto Symbol	HL805_gr.jpg	150x150/72dpi
techn. drawing	HL810_b.pdf	pdf
CAD	HL810_2_b.dxf	dxf