

HL70

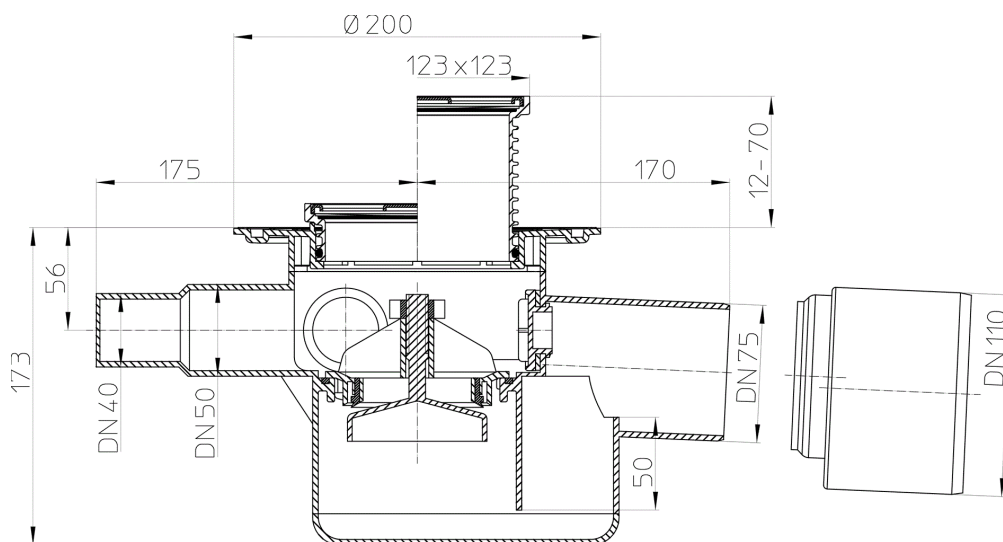
floor drain DN75/110 horizontal with non-return valve and 3 inlets DN40/50, 123x123mm/115x115mm



floor drain DN75/110 horizontal with flange, trap seal, 3-way non-return valve, cleaning eye and 3 inlets DN40/50, cut-to-size grate frame 12 - 70 mm / 123 x 123 mm and stainless steel grate 115 x 115 mm. Comes with lot cover.



techn. drawing



MAIN DATA

spare parts



HL037N.0E
supporting frame/cover 123x123mm



HL037N.1E
stainless steel grate 115x115mm

**HL037N.2E**

grate frame d 110mm/90mm/123x123mm incl. O-ring

**HL01067D**

O-ring 92x4mm

**HL037N.OE**

supporting frame/cover 123x123mm

**HL70K**

floor drain body DN75/110 horizontal with non-return valve and 3 inlets DN40/50

**HL0317.4E**

reduction DN110xDN75

**HL070.3E**

tailback seal

**HL070.4E**

cleaning eye nut

attachment**HL3120**

stainless steel grate (316) 115x115mm "Quadra"

**HL3121**

stainless steel grate (316) 115x115mm "Seine"

**HL3122**

stainless steel grate (316) 115x115mm "Loire"

**HL3123**

stainless steel grate (316) 115x115mm "Orinoko"

**HL3124**

stainless steel grate (316) 115x115mm "Nil"

**HL3125**

stainless steel grate (316) 115x115mm "Yukon"

**HL3127**

Stainless steel grate (V4A) 115x115mm 'Primus Design'

**HL619**

fixing brackets

Alternatives**HL70G**

floor drain DN75/110 horizontal with non-return valve and 3 inlets DN40/50, 150x150mm/137x137mm cast iron

**HL70R**

floor drain DN75/110 horizontal with non-return valve and 3 inlets DN40/50, round d 131mm/d 112mm

Extensions**HL340N**

extension 80mm/d 110mm incl. O-ring

**HL85N**

extension with flange incl. O-ring

**HL85NC**

extension d 110mm CeraDrain with polymer concrete collar incl. O-ring

**HL85NH**

extension incl. O-ring with bitumen membrane

Waterproofing Kits



HL83

waterproofing kit with EPDM collar 400x400mm



HL83.0

waterproofing kit



HL83.H

waterproofing kit with bitumen membrane d 400mm



HL83.M

Sealing kit with laminated fleece



HL83.P

waterproofing kit with flange PVC d 287mm

TECHNICAL DATA

material	PE	installation height	187 mm
dimension	DN75/110	grate frame	12-70mm/123x123mm
capacity	1,12 l/sec	grate	Edelstahl 115x115mm
weight	1,231	load class	K - 300 kg
EAN	9003076700707	inlet	3 x DN50/40
		standards	

PACKAGING DATA

carton

unit	1 [pcs.]
weight	1,546 [kg]
EAN/pack.	9003076700707
height/width/depth	210/330/330 [mm]
volume	0,022869 [m ³]

single use pallet

unit	48 [pcs.]
weight	85 [kg]
EAN/pack.	9003076014095
height/width/depth	1500/800/1200 [mm]
volume	1,44 [m ³]

DOWNLOADS

Foto Print	HL70_pr.tif	max.
Foto Web	HL70_B.jpg	640x480/300dpi
Foto Symbol	HL70_gr.jpg	150x150/72dpi
techn. drawing	HL70_c.pdf	pdf
CAD	HL70_2_c.dxf	dxf