

HL405

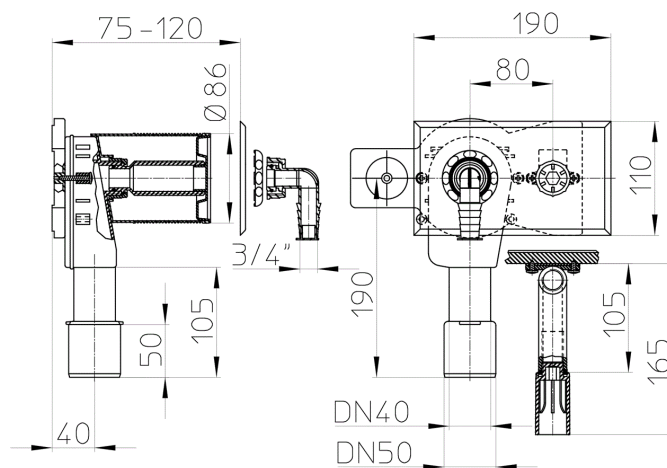
recessed washing device trap DN40/50 with water feed - 180x100mm



recessed washing device trap DN40/50 with water feed 1/2', appliance hose connector 3/4' chrome plated HL19.C, mounting plate and stainless steel coverplate 180 x 100 mm. Minimum installation depth 75 mm. Comes with lot cover.



Techn. drawing



TECHNICAL DATA

material	PE	installation height
dimension	DN40/50	grate frame
capacity	0,38 l/s	grate
weight	0,73	load class

MAIN DATA**spare parts****HL0405.1E**

stainless steel plate 180x100mm

**HL0405.2E**

mounting plate

**HL0405.8E**

screws with noise insulation

**HL0405.3E**

water feed solid brass 1/2'x1/2'

**HL0405.4E**

lot-cover

**HL19.C**

appliance hose connector 1'x3/4' chrome plated, O-ring

**HL01050D**

O-ring 18x2,5mm

**HL0400.7E**

plug

**HL42.B**

test plug 1/2' with vent. Blue

**HL042.1D**

gasket 1/2'

**HL420**

threaded extension 1'x68mm

**HL01050D**

O-ring 18x2,5mm

attachment**HL0406.1E**

on/off valve 1/2'

**HL0406.2E**

water supply 1/2'x3/4'

**HL19**

appliance hose connector 1'x3/4', O-ring

**HL19.2**

appliance hose connector 1'x8-13mm, O-ring

**HL2**

appliance hose twin connector with non-return valve. O-ring

**HL2.1**

appliance hose twin connector with non-return and air-admittance valve. O-ring

**HL405B**

adjustable strap

Alternatives**HL406**

recessed washing device trap DN40/50 with water feed and on/off tap R 1/2' - 180x100mm

PACKAGING DATA**PE-bag**

unit	1 [pcs.]
weight	0,762 [kg]
EAN/pack.	9003076504053
height/width/depth	130/240/220 [mm]
volume	0 [m ³]

carton

unit	5 [pcs.]
weight	4,13 [kg]
EAN/pack.	9003076514052
height/width/depth	175/292/392 [mm]
volume	0,0200312 [m ³]

single use pallet

unit	240 [pcs.]
weight	208,5 [kg]
EAN/pack.	9003076104055
height/width/depth	1270/800/1200 [mm]
volume	1,728 [m ³]

DOWNLOADS

Foto Print	HL405_pr.tif	max.
Foto Web	HL405_B.jpg	640x480/300dpi
Foto Parts List	HL405_gr.jpg	150x150/72dpi
Techn. drawing	HL405_c.pdf	pdf
CAD	HL405_c1.dxf	dxf

