

# HL03910.2E

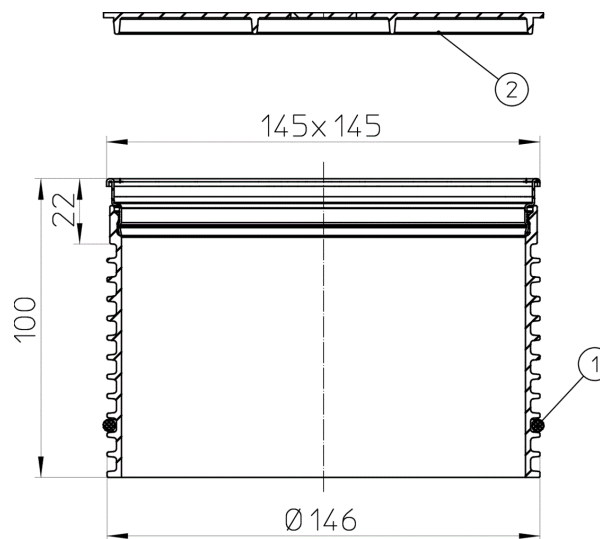
Grating d 146mm / stainless steel frame 145x145mm incl. O-ring, system Klick-Klack



Grating d 146 mm/ stainless steel frame V4A 145x145 mm incl. O-ring, system Klick-Klack with lot cover for top



## Techn. drawing



## TECHNICAL DATA

<b>material</b>	PP/Edelstahl V4A	<b>installation height</b>
<b>dimension</b>	d 146mm	<b>grate frame</b>
<b>capacity</b>		<b>grate</b>
<b>weight</b>	0,254	<b>load class</b>

EAN

9003076025626

inlet

standards

## MAIN DATA

### spare parts



**HL01093D**  
O-ring 125x4



**HL03900.OE**  
Lot cover 145x145 mm

### used with



**HL3910**  
Grating d 146 mm/ Stainless steel frame 145x145 mm/ Stainless steel grate 138x138 mm, System Klick-Klack



**HL3100T**  
Balcony and terrace drain DN75/110 vertical with frost-proof stench flap, 145x145mm / 138x138mm



**HL3100TH**  
Balcony and terrace drain DN75/110 vertical with bitumen flange, frost-proof stench flap, 145x145mm / 138x138mm



**HL5100T**  
Balcony and terrace drain DN75 horizontal with frost-proof stench flap, 145x145mm / 138x138mm



**HL5100TH**  
Balcony and terrace drain DN75 horizontal with bitumen flange, frost-proof stench flap, 145x145mm / 138x138mm



**HL3910.1**  
Grating d 146 mm/ Stainless steel frame 145x145 mm/ Stainless steel grate 138x138 mm, System Klick-Klack, with siphon



**HL3100**  
Floor drain DN50/75/110 vertical, 145x145 mm Klick-Klack/ 138x138 mm



**HL5100**  
Floor drain DN50/75/ horizontal 145x145 mm Klick-Klack/ 138x138 mm



**HL3910Pr**  
Grating d 146 mm/ Stainless steel frame 145x145 mm/ Stainless steel grate 138x138 mm, System Klick-Klack, siphon PRIMUS



**HL3100Pr**  
Floor drain DN 50/75/110 vertical with siphon PRIMUS, 145x145 mm Klick- Klack/ 138x138mm



**HL5100Pr**  
Floor drain DN 50/75 horizontal with siphon PRIMUS 145x145 mm Klick-Klack/ 138x138mm

## PACKAGING DATA

### PE-bag

unit	1 [pcs.]
weight	0,262 [kg]
EAN/pack.	9003076025626
height/width/depth	100/150/150 [mm]

**volume**

0 [m<sup>3</sup>]

## DOWNLOADS

<b>Foto Print</b>	<b><a href="#">HL03910_2E_pr.tif</a></b>	max.
<b>Foto Web</b>	<b><a href="#">HL03910_2E_B.jpg</a></b>	640x480/300dpi
<b>Foto Parts List</b>	<b><a href="#">HL03910_2E_gr.jpg</a></b>	150x150/72dpi
<b>Techn. drawing</b>	<b><a href="#">HL03910_2E_a.pdf</a></b>	pdf
<b>CAD</b>	<b><a href="#">HL03910_2E_2_a.dxf</a></b>	dxf